

DOUBLE 80

Standing and hanging textile LED frame

BF80S Silver
BF80W White

Colors:



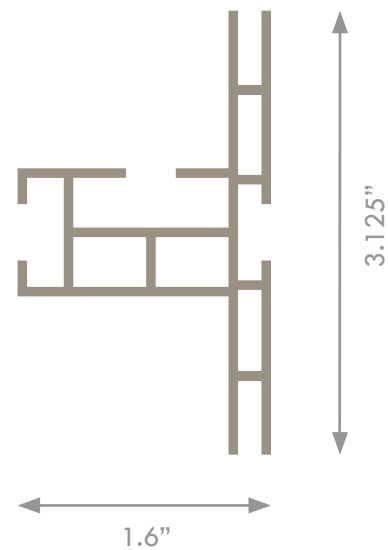
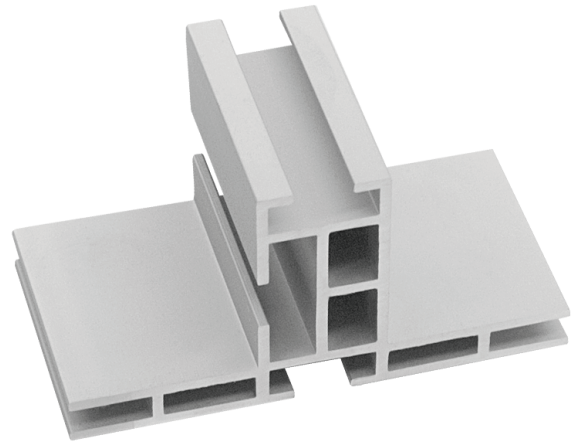
Silver



White

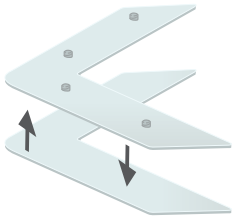
Available in every color on request.

Application: Freestanding, suspended from ceiling
Width: 3.125 inches (80mm)
Length: Up to 20 feet
Option: Sound absorbing felt

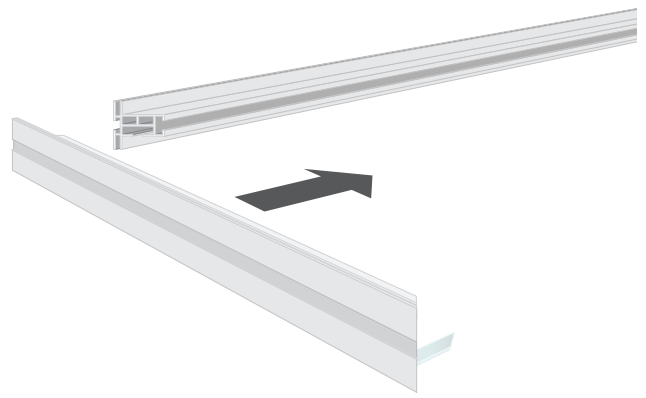


The robust double 80 profile is an excellent solution for large SEG frame projects. It is widely used for signage in retail, or can be used creatively in the workspace for space management solutions, decoration and privacy.

- The innovative BFF version of this popular frame provides elegant versatility by offering two matching profiles; a closed profile, and an open profile with a hardware support channel that works seamlessly with our baseplate and suspension hardware. These two profiles can be combined so that the exposed sides of the frame have the “closed” surface while the top or bottom rail has the open channel for the mounting hardware for BFF accessories.
- Use extension hardware for frames greater than 10 feet.
- Profile accepts stabilizers for oversize frames.
- Hanging mount and footplate options are available.



BH0200
Each frame is delivered with 8 locksets heavy.

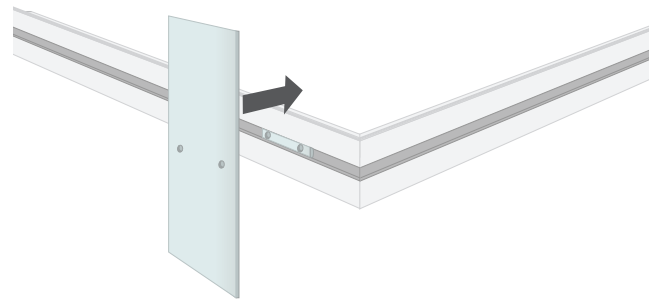


When connecting the frame, first place the lockset (BH0200) without the punchholes, then the one with punchholes.

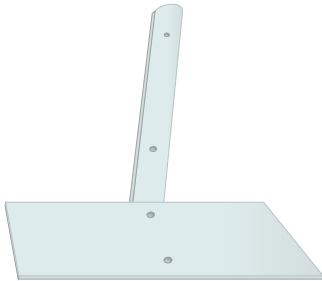
Optional



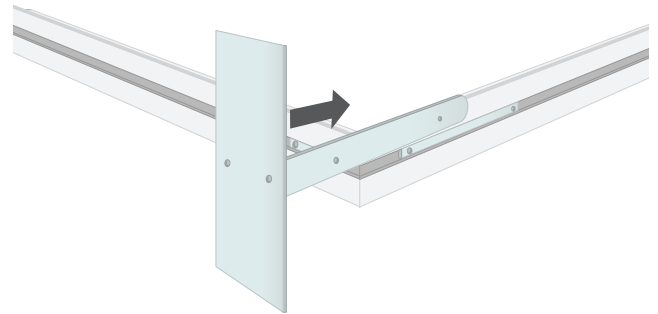
BH0100 / BH0105 / BH0110
Footplate for standing. Material: Steel.



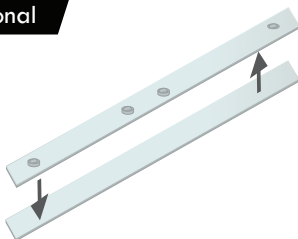
Optional



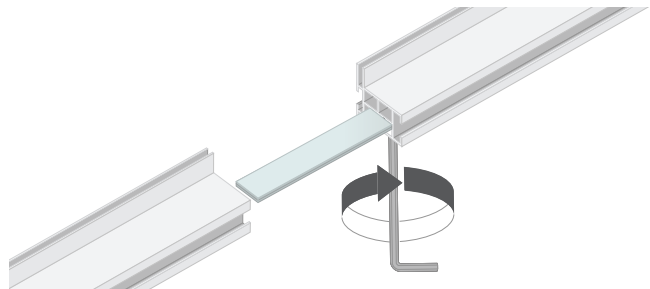
BH0120 / BH0130
Footplate for standing. Material: Steel.



Optional

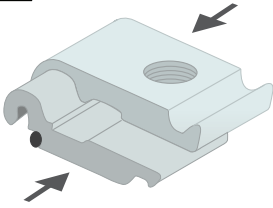


BH0500
If the length of the frame is longer than 13 feet, an extension set (BF0500) is included.



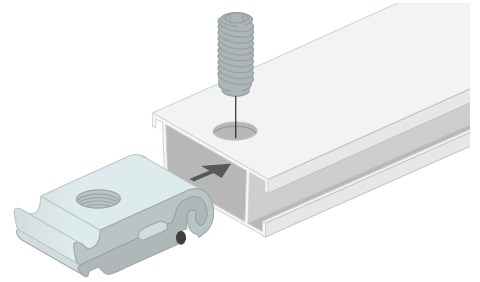
These extension sets can be placed in the channels where the frame is cut in half.

Optional



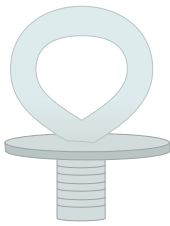
BH0220

When connecting the stabilizer, first place the lockset in the channel.



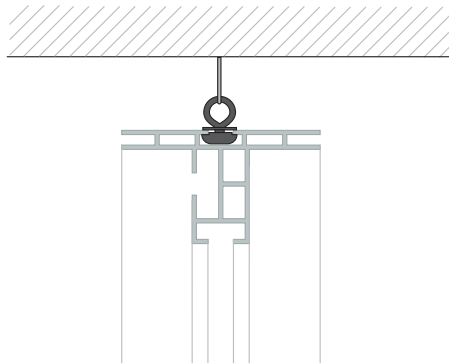
Then put the stabilizer (BFSTS) on the lockset, now tighten the screw with the delivered allen key.

Optional

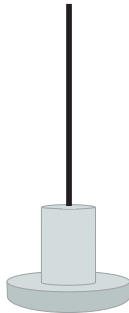


BH0360

Suspended from ceiling.

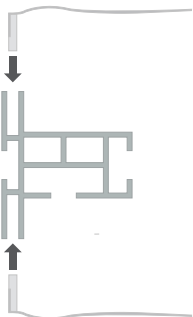
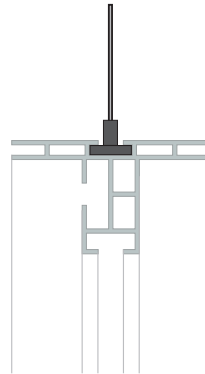


Optional



BH7900

Suspended from ceiling.



Place the textile print in the frame. Start with the corners and press the silicone strip in the channel.

